

SYSHIELD

SHIELDING FOR INJECTION SYRINGES

EFFECTIVE AND USER FRIENDLY
SYRINGE SHIELDING



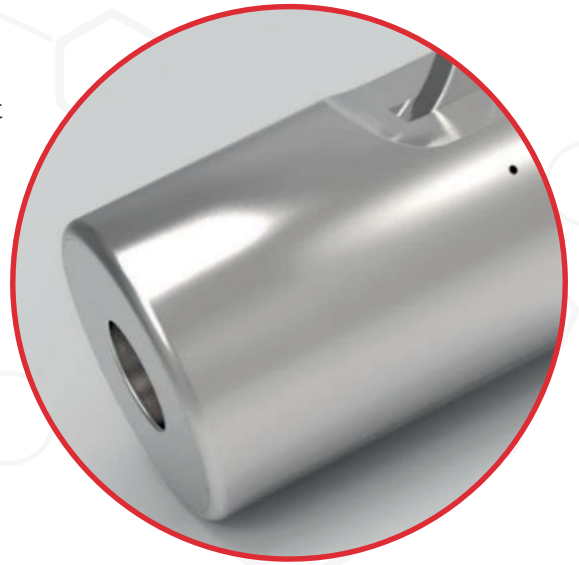
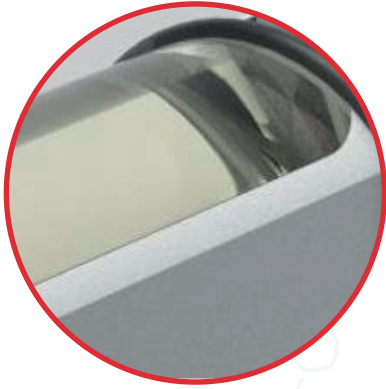
- EFFECTIVE
- USER FRIENDLY
- FOR HIGH AND MEDIUM RADIATION ENERGIES
- EASY TO CLEAN
- NON-MAGNETIC VERSIONS AVAILABLE

We offer a great choice of syringe shieldings for an effective radiation protection during preparation of the syringe, transport and the injection. With our products you will find solutions for the complete range from low energy radio pharmaceuticals up to high energy tracers.

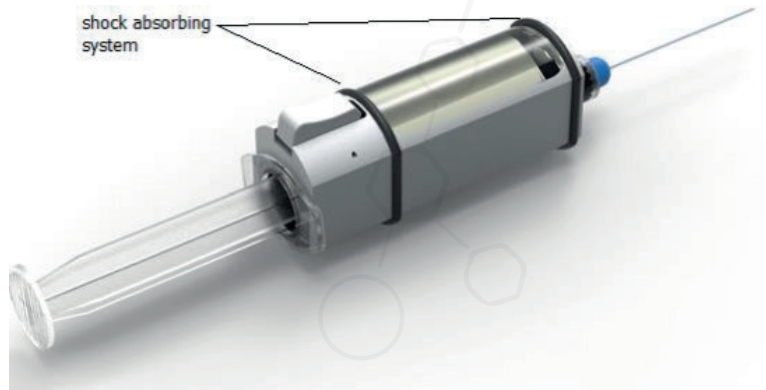
All our syringe shieldings have a well proven locking system. The fastener has been designed to allow fast and easy release of the syringe ensuring at the same time a good and firm hold of the syringe during the manipulation.

The tungsten casing with an adapted thickness provides an optimal weight/protection ratio for low, medium, and high ionization radiation.

The lead glass curvature of our syringe shieldings has been conceived act like a magnifying lens. This lens effect will strongly facilitate the metering of the syringe graduations.

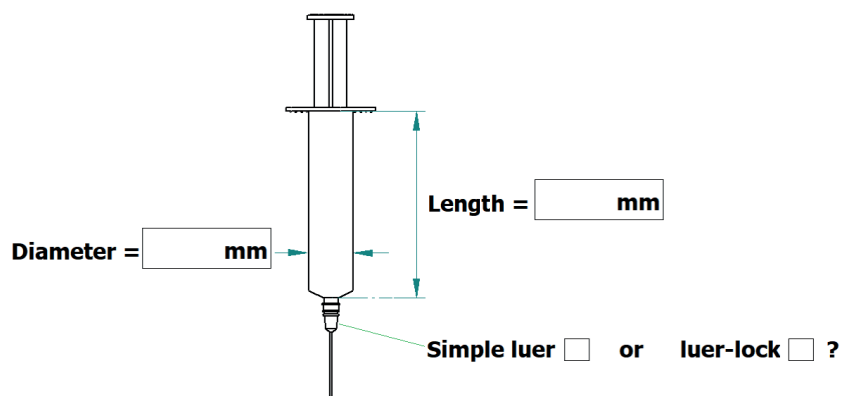


To increase the lifetime of the shielding and to protect the lead glass against shocks, all our Syringe shieldings are equipped with a shock absorber system.



Technical Specifications

Please complete the measures below to choose the syringe shield



Low, medium, and high Energy shieldings

Low and medio energy shieldings: manufactured with 2,25mm tungsten wall thickness and 7,25mm thick lead glass >> SSLE series

High energy shieldings: manufactured with 6mm tungsten wall thickness and 12mm thick lead glass >> SSHE series



Reference

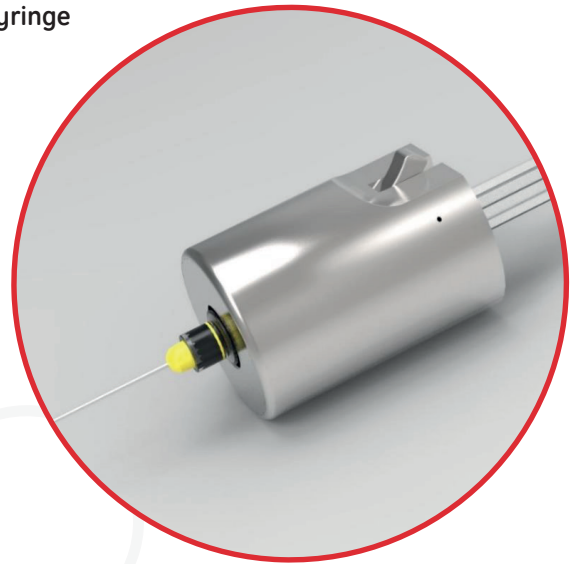
SSLE 1-75 LS
 SSLE 1-75 LL
 SSLE 2-51
 SSLE 2,5-59
 SSLE 3-61
 SSLE 3-69
 SSLE 5-61
 SSLE 5-65
 SSLE 10-73
 SSLE 10-85

Syringe Type - Low Energy

For 1ml Syringe Luer Slip
 For 1ml Syringe Luer Lock
 For 2ml Syringe
 For 2ml Syringe long
 For 3ml Syringe short
 For 3ml Syringe long
 For 5ml Syringe short
 For 5ml Syringe long
 For 10ml Syringe short
 For 10ml Syringe long

Length of Syringe

75 mm
 75 mm
 51 mm
 59 mm
 61 mm
 69 mm
 61 mm
 65 mm
 73 mm
 85 mm

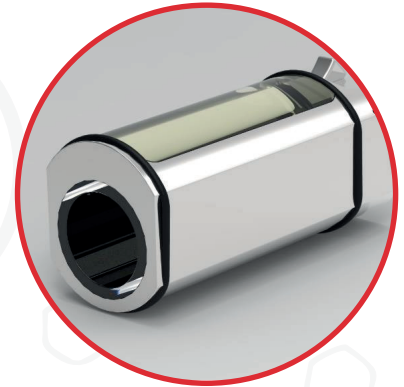


Syringe Type - High Energy

SSHE 1-75 LS
 SSHE 1-75 LL
 SSHE 2-51
 SSHE 2,5-59
 SSHE 3-61
 SSHE 3-69
 SSHE 5-61
 SSHE 5-65
 SSHE 10-73
 SSHE 10-85

For 1ml Syringe Luer Slip
 For 1ml Syringe Luer Lock
 For 2ml Syringe
 For 2ml Syringe long
 For 3ml Syringe short
 For 3ml Syringe long
 For 5ml Syringe short
 For 5ml Syringe long
 For 10ml Syringe short
 For 10ml Syringe long

75 mm
 75 mm
 51 mm
 59 mm
 61 mm
 69 mm
 61 mm
 65 mm
 73 mm
 85 mm



High Energy Syringe Shielding

Shielding made of Tungsten for a protection against high energy ionization radiation.

Our Bio-protection range has a 7mm tungsten wall thickness.

Reference

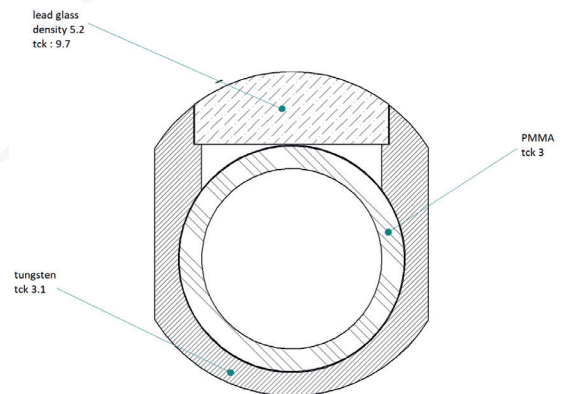
SSTu 1-75 LS
 SSTu 1-75 LL
 SSTu 2-51
 SSTu 2,5-59
 SSTu 3-61
 SSTu 3-69
 SSTu 5-61
 SSTu 5-65
 SSTu 10-73
 SSTu 10-85

Syringe Type

For syringe 1 ml luer slip
 For syringe 1 ml luer lock
 For syringe 2 ml
 For syringe 2 ml long
 For syringe 3 ml short
 For syringe 3 ml long
 For syringe 5 ml short
 For syringe 5 ml long
 For syringe 10 ml short
 For syringe 10 ml long

Body length of the syringe

75 mm
 75 mm
 51 mm
 59 mm
 61 mm
 69 mm
 61 mm
 65 mm
 73 mm
 85 mm



Syringe shielding for Beta emitters

For the shielding of ionizing Beta minus radiation we use a 10mm thick PMMA Body. The transparent material with a 360° revision allows an easy metering of the syringe graduations.

Our Mix-Bio product range combines two different shielding materials made of:

- A 3mm thick PMMA core to break down the beta radiation.
- The 3.1 mm thick outer tungsten shell provides the adequate radiation protection for X-rays and gamma radiation.
- The large view glass with a density of 5.2 and a wall thickness of 9,7 mm protects against X-rays as well as Gamma radiation, enabling at the same time an easy metering of the syringe graduation.

Bio-protection Range: 10mm PMMA > SSbeta
 Mix-Bio range: 9,7 mm Lead glass + 3,1 mm tungsten + 3mm PMMA > SSLuta

Reference

Syringe Type

Body length of the syringe

SSbeta 1-75 LS	For syringe 1 ml luer slip	75 mm
SSbeta 1-75 LL	For syringe 1 ml luer lock	75 mm
SSbeta 2-51	For syringe 2 ml	51 mm
SSbeta 3-61	For syringe 3 ml short	61 mm
SSbeta 3-69	For syringe 3 ml long	69 mm
SSbeta 5-61	For syringe 5 ml short	61 mm
SSbeta 5-65	For syringe 5 ml long	65 mm
SSbeta 10-75	For syringe 10 ml short	75 mm
SSbeta 10-85	For syringe 10 ml long	85 mm
SSLuta 10-75 MXT	For syringe 10 ml short	75 mm
SSLuta 10-85 MXT	For syringe 10 ml long	85 mm
SSLuta 20-96 MXT	For syringe 20 ml	96 mm
SSLuta 30-108 MXT	For syringe 30 ml	108 mm



Holder for syringe shieldings

Our syringe shield holder is manufactured out of stainless steel. The user-friendly design allows the storage of up to 8 Syringe shieldings of different sizes.

The distance between the 8 holding positions is large enough to avoid the shieldings hitting each other. This storage solution allows a fast and easy drying of the shielding after a cleaning or decontamination.

Reference

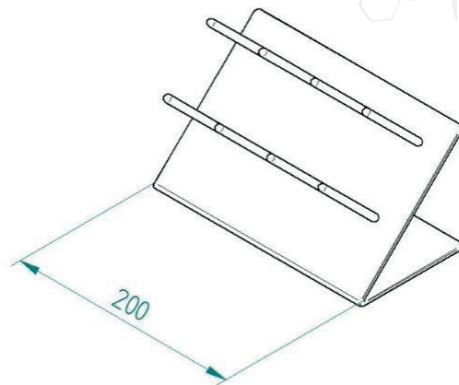
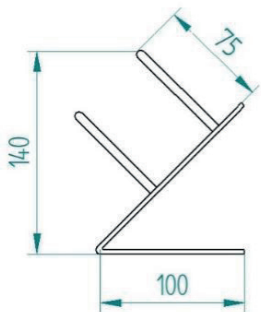
Dimensions

Weight

SSRack

H140 x L200 x D100

1,3 kg



info@elysia-raytest.com
 www.elysia-raytest.com

Headquarters

Elysia s.a.
 Rue du Sart-Tilman 375
 4031 Angleur - Belgium
 Tel +32 (0)4 243 43 50

Production

Elysia-raytest GmbH
 Benzstraße 4
 75334 Straubenhardt - Germany
 Tel +49 (0)7082 92 55 0